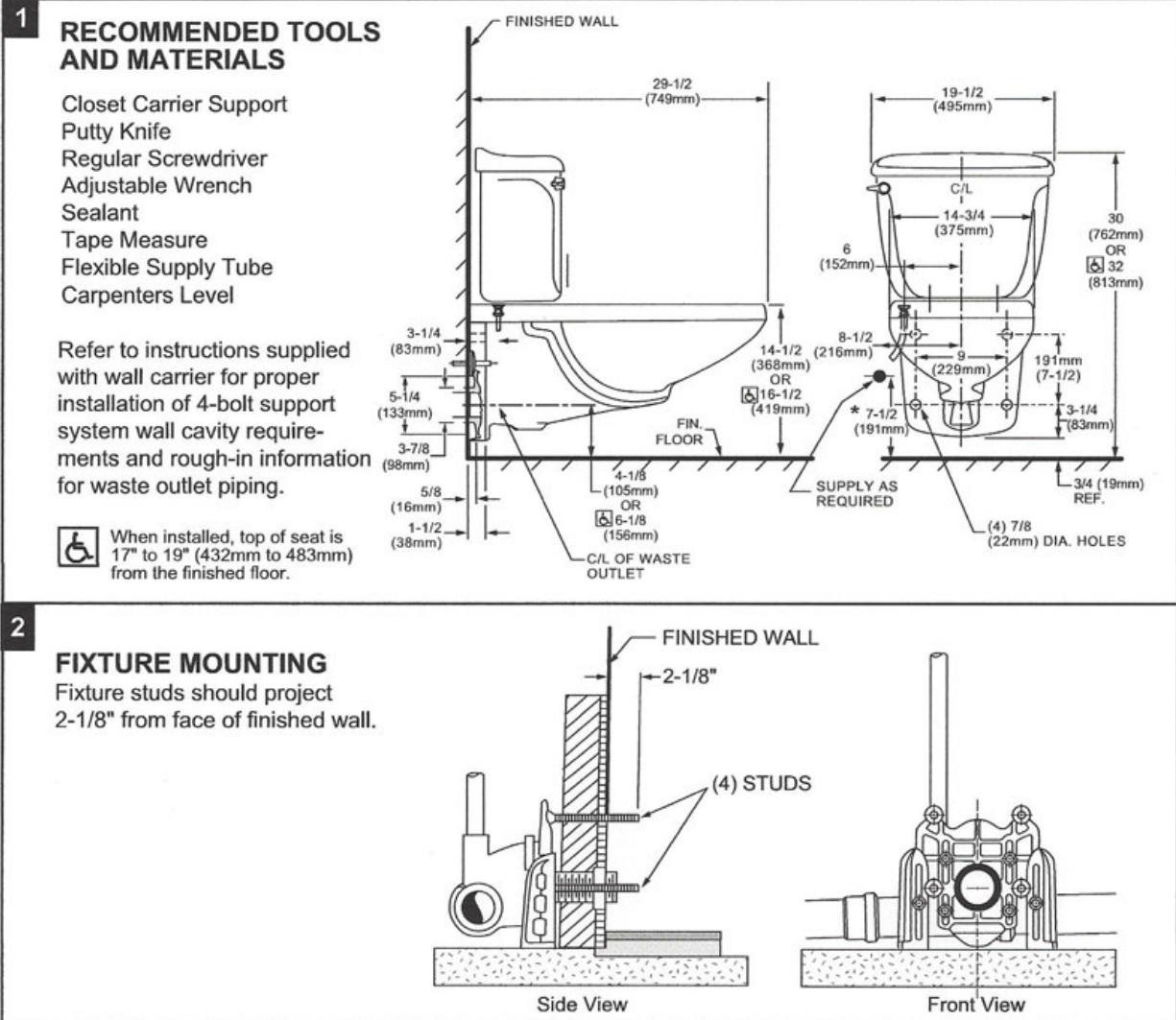


Wall Hung Toilets – Technical Corner – By Gary Bergeron

Toilet, Water Closet, or porcelain thrones, no matter what you call them, there are some important “means and methods” when they are installed. There are two types of toilets. There are floor mounted toilets which are usually in our homes and wall hung toilets usually located in commercial buildings. The floor mounted toilets are often specified as a less expensive option when cleaning behind and around the toilet is not an important issue. In hospitals and many public facilities, wall hung toilets are specified so that cleaning underneath the fixture is more efficient. The wall hung toilets require more room for a plumbing chase because a cast iron wall carrier is needed to suspend the toilet from the wall. This wall carrier comes in many different varieties but they all require bolting to the floor. I was on a recent construction site where I observed the contractor starting to install the tile backer board. I was taking photos of the toilet wall carriers and noticed there were no bolts securing the wall carrier to the floor. The only thing which would have secured the toilet in place was the piping in the wall cavity. After repeated use, the toilet would start sagging and pulling away from the wall. The attached cut sheet indicates where the floor anchor bolts should have been installed. If these anchor bolts are not installed correctly there is an option. This very attractive footstool to hold up the toilet when it starts sagging can be installed. This support defeats the entire purpose of a wall hung toilet being easier to clean. If you want to know more about this and other fine points of the construction industry, come to the next CSI meeting.



Jobsite photo without floor mount anchor bolts



Cut sheet showing toilet mounting arrangement



Shop fabricated pipe and wall hanger pipe spool



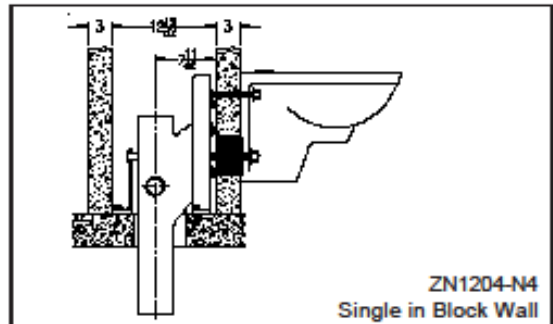
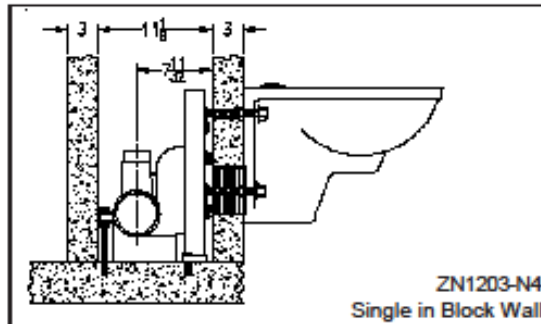
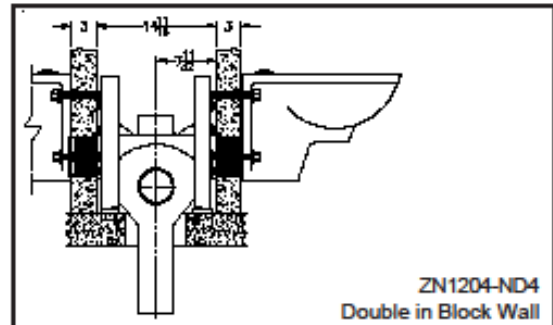
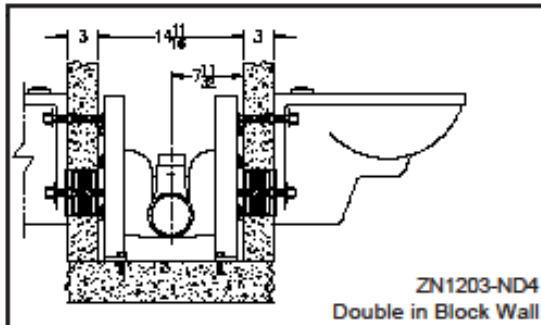
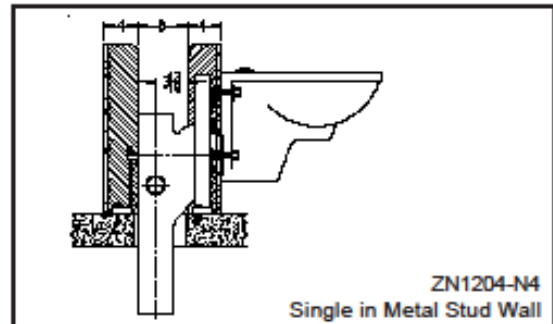
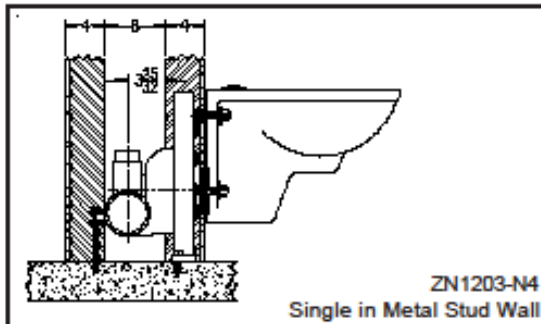
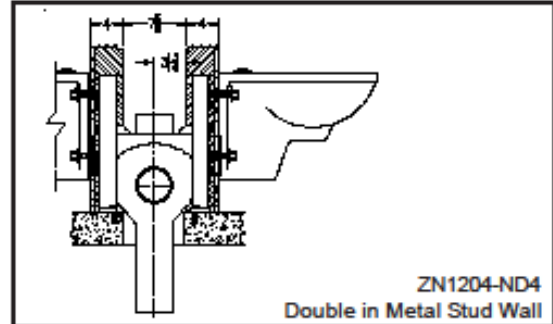
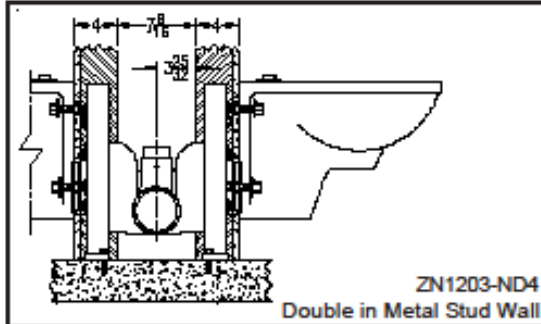
Wall carrier closeup



Minimum Chase Requirements for Narrow Wall Installation

Horizontal Adjustable Carriers

Vertical Adjustable Carriers



Form # C30 Date: 3/30/07 C.N. No. 96430 Rev. A Page 1 of 2

ZURN INDUSTRIES, INC. • SPECIFICATION DRAINAGE OPERATION • 1801 Pittsburgh Ave. • Erie, PA 16514
Phone: 814455-0921 • Fax: 814454-7529 • World Wide Web: www.zurn.com

In Canada: ZURN INDUSTRIES LIMITED • 3544 Nashua Drive • Mississauga, Ontario L4V1L2 • Phone: 905405-8272 Fax: 905405-1292

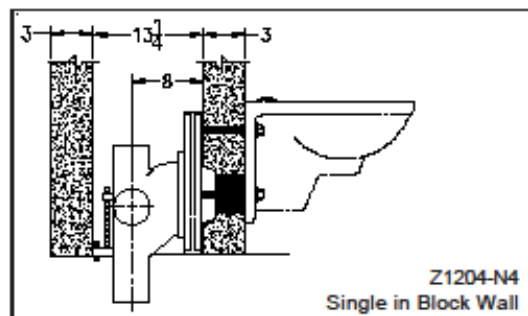
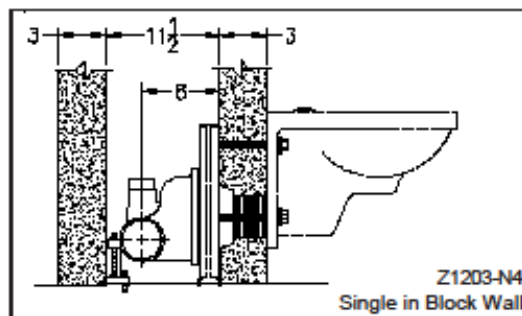
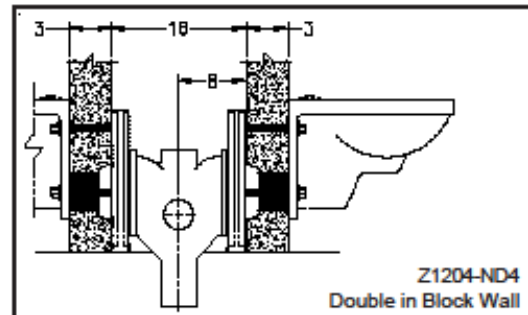
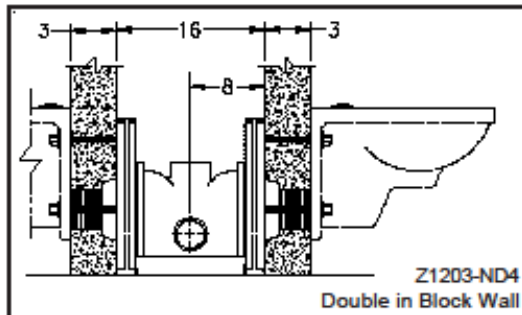
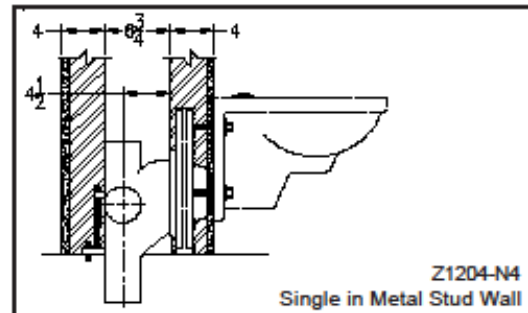
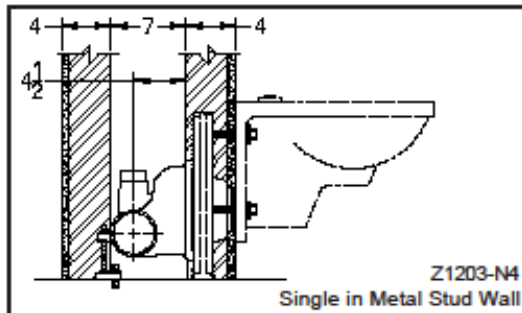
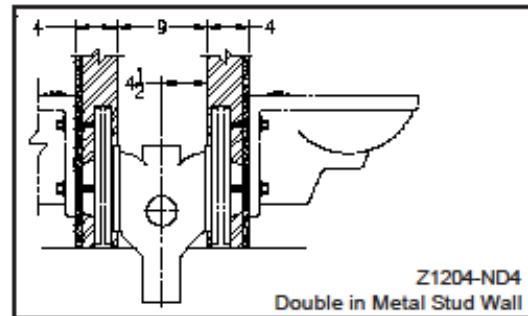
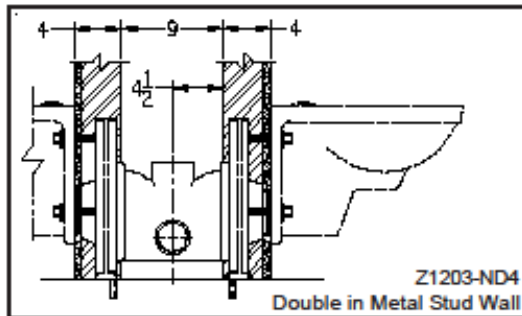


Minimum Chase Requirements for Standard Wall Installation

Dimensional Data in Inches is Subject to Manufacturing Tolerances and Change Without Notice

Horizontal Adjustable Carriers

Vertical Adjustable Carriers



Form # C10 Date: 8/17/10 C.N. No. 111535 Rev. F Page 1 of 3

ZURN INDUSTRIES, LLC • SPECIFICATION DRAINAGE OPERATION • 1801 Pittsburgh Ave. • Erie, PA 16514
Phone: 814455-0921 • Fax: 814454-7329 • World Wide Web: www.zurn.com

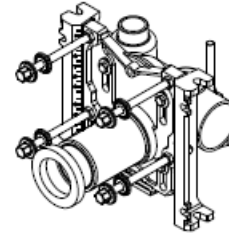
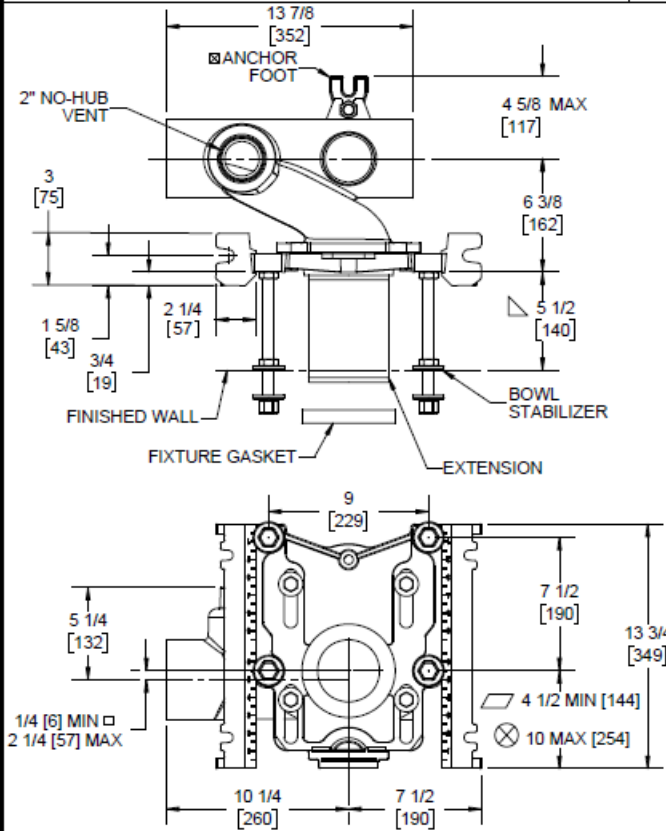
In Canada: ZURN INDUSTRIES LIMITED • 3544 Nashua Drive • Mississauga, Ontario L4V1L2 • Phone: 905405-8272 Fax: 905405-1292

SPECIFICATION:

JOSAM 12684 SERIES COATED CAST IRON SINGLE HORIZONTAL 4" NO-HUB RIGHT-HAND OFFSET FITTING WITH 2" NO-HUB VENT AND ADJUSTABLE CARRIER BODY, INVERTIBLE FOR SIPHON JET OR BLOWOUT CLOSETS, WITH ABS EXTENSION WITH INTEGRAL TEST CAP, PYLON FEET, ANCHOR FOOT, PLATED HARDWARE AND NEOPRENE FIXTURE GASKET. 500 LB CAPACITY.

**CLOSET CARRIER
RIGHT HAND**

SERIES **12684**



△ FOR DIMENSION SHORTER THAN 5-1/2" (1" MIN) CUT EXTENSION. FOR LONGER EXTENSION (10-1/2" MAX) SPECIFY (-10)

▣ RECOMMEND FEET BE SECURED TO FLOOR WITH 1/2" BOLTS AND ANCHORS (BY OTHERS).

⊗ FOR SIPHON JET ROUGHING OVER 6" OR BLOWOUT ROUGHING OVER 12-1/2" SPECIFY ON ORDER.

SIPHON JET DIMS SHOWN. FOR BLOWOUT DIMS, USE:

□ MIN 2" & MAX 4"

▤ MIN 11" & MAX 16 1/2"

⊙ AUX INLET IS 6" OFFSET FROM VENT

-XSD	EXTRA SPECIAL DUTY 1,000 LB CARRIER	-SDH	SPECIAL DUTY HIGH 750 LB CARRIER
-PF	NPT FCPLT AND EXT - STD	-6	SUPPLY PIPE SUPPORT (SPECIFY TYPE OF PIPE)
-OR	O-RING FCPLT AND EXT	-10	ABS EXTENSION THROUGH 10-1/2" WALL
-CR	COMP. RING FCPLT AND EXT	-24	FLOOR MOUNTED BACK OUTLET CHINA BOWL
-PAF	PREFAB ADJUSTABLE FOOT	-30	CAST IRON ADJ. EXTENSION W/ CONNECTOR
-HS	HUB & SPIGOT	-30-2	CAST IRON ADJ. EXTENSION W/ CONNECTOR & TEST CAP
-AUX	AUXILIARY INLET (2" NO-HUB)	-32	CARRIER FOR WIDE CHASE INSTALLATIONS
-HUB AUX	AUXILIARY INLET (2" HUB)	-35	CARRIER FOR WHEELCHAIR HIGH ROUGH
-VP	VANDAL-PROOF TRIM	-58	HORIZONTAL NO-HUB CAST LONG BARREL
		-1	POSITIONING FRAME

DATE OF LAST CHANGE: 01/18/22

DIMENSIONS ARE SUBJECT TO MANUFACTURERS TOLERANCES AND CHANGE WITHOUT NOTICE. WE CAN ASSUME NO RESPONSIBILITY FOR USE OF SUPERSEDED OR VOID DATA.



MICHIGAN CITY, INDIANA

NOTES

Cut sheet showing 1/2" anchor bolts in carrier feet



Toilet footstool